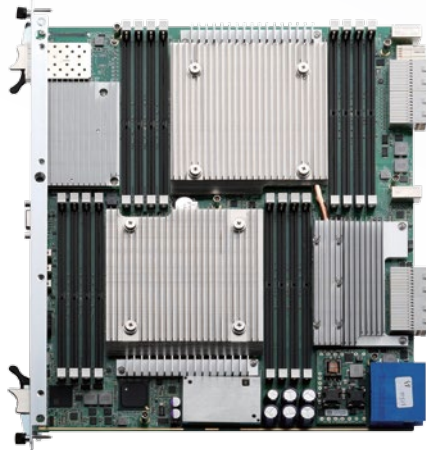


aTCA-9710

Dual Intel® Xeon® E5-2600 v3 Family 40 Gigabit Ethernet AdvancedTCA® Processor Blade



Features

- Two Intel® Xeon® processor E5-2600 v3 family (12C/24T)
- 16 memory sockets support DDR4-2133 REG/ECC VLP RDIMM up to 256 GB
- Intel® C612 PCH
- Single Intel® XL710-AM2 40GBASE-KR4 Fabric Interface Channels
- Intel® Communications Chipset 8950
- Support Intel® DPDK and Node Manager 3.0



Specifications

CPU / Chipset / Memory

CPU	12-Core Intel® Xeon® E5-2600 v3
Chipset	Intel® C612 PCH
Memory	16x DDR4-2133 240-pin VLP RDIMM sockets, up to 256 GB

BIOS

Chip	AMI BIOS on SPI flash memory
Features	Intel® PXE pre-boot Remote Console

I/O Interfaces

Graphics	Silicon Motion SM750, PCIe x1, up to 1920 x 1440 resolution
Ethernet	Dual 10/100/1000BASE-T Base Interface channels Dual Intel® XL710-AM2 40GBASE-KR4 Fabric Interface channels Dual front panel 10GBase egress ports
Storage	On-board bootable 32G mSATA flash (up to 256G)
USB	Three USB 2.0 ports on front panel
Front Panel I/O	VGA, USB1/2, LAN1/2, COM (mini-USB) 1/2

PICMG Standard

AdvancedTCA	PICMG 3.0 R3.0 PICMG 3.1 Ethernet Over PICMG 3.0, Option 9-KR
-------------	--

Other Features

Packet Processing Acceleration	Single Intel® Communications Chipset 8950
Operating Systems	Windows Server 2012 R2, Red Hat Enterprise Linux 6, Intel® DPDK supported

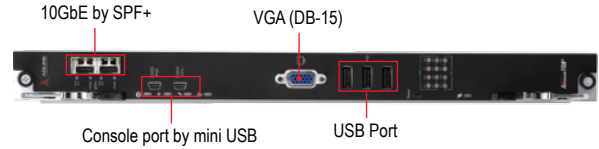
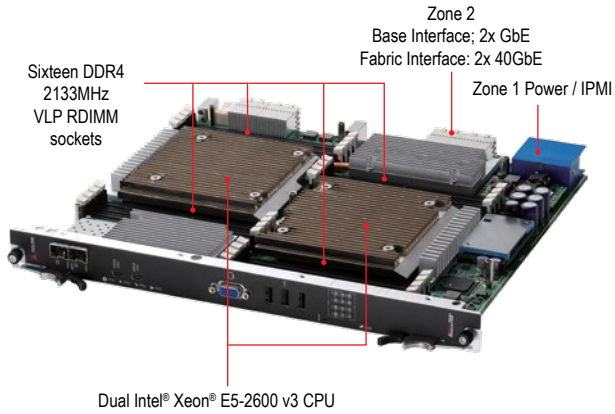
Mechanical and Environmental

Form Factor	PICMG 3.0 R3.0 AdvancedTCA
Dimension	322.25mm x 280mm x 6HP (L x W x H)
Weight	3.5KG
Operating Temp.	0°C to +55°C
Storage Temp.	-40°C to +70°C
Humidity	5% to 95%, non-condensing
Shock	20G peak-to-peak, 11ms duration, non-operation
Vibration	Non-operating: 1.88Grms, 5-500Hz each axis Operating: 0.5Grms, 5-500Hz each axis
Power Consumption	366W with E5-2658 V3 (105W)
Certification	FCC, CE, NEBS Level 3 (design)

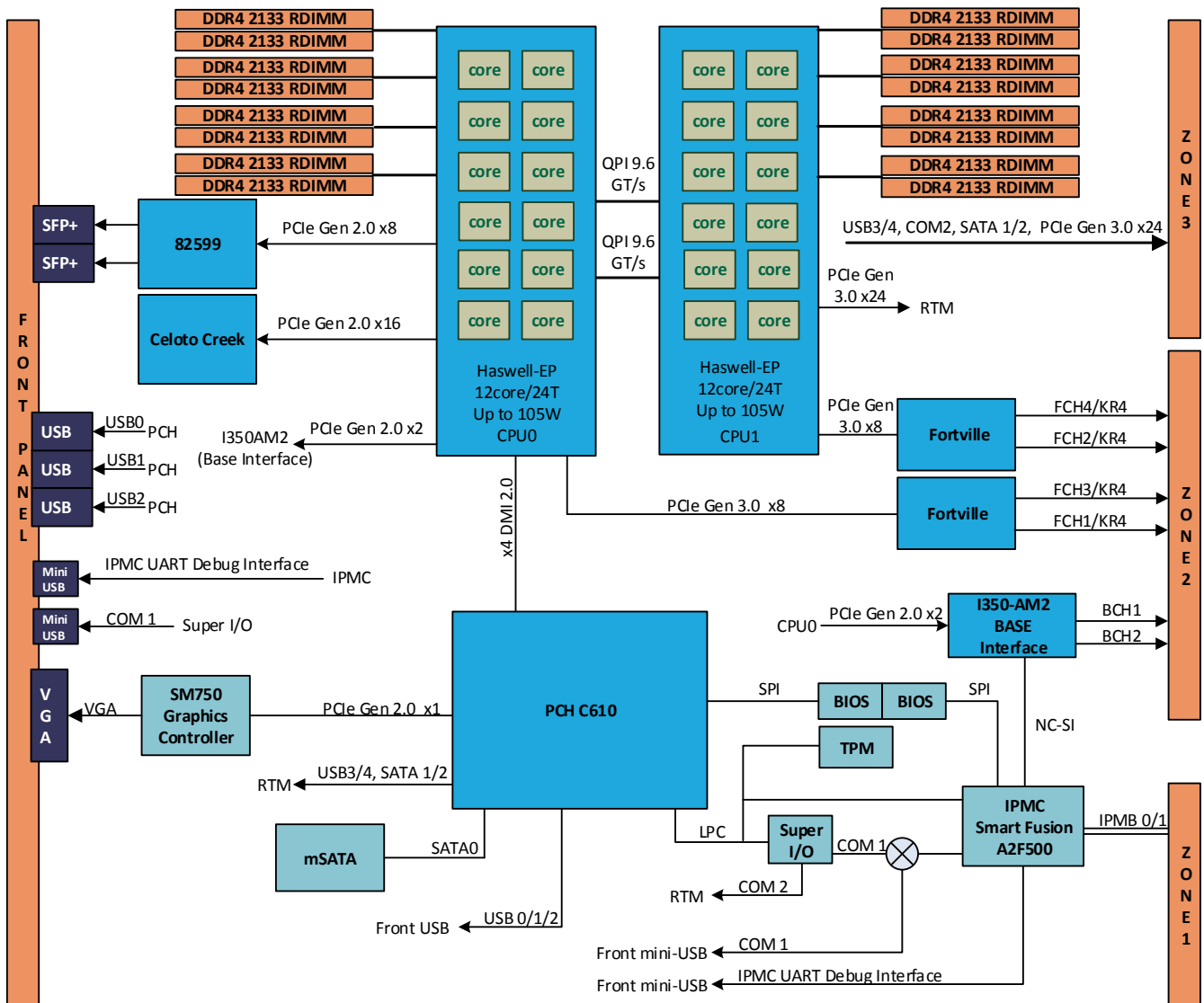
Ordering Information

Model Number	Description/Configuration
aTCA-9710	Dual 12-core Intel® Xeon® E5-2658v3 2.2GHz 40GbE processor blade, 4x DDR4-2133 VLP RDIMM 16GB

Mechanical Layout



Functional Diagram



Note: All specifications are subject to change without further notice.