

ETOS-1000

Extreme Outdoor Server with
Intel® Xeon® Processor E5-2400 v2 Series



Features

- Single/Dual Intel® Xeon® Processor E5-2400 v2 series
- Six memory sockets support VLP RDIMM DDR3-1333/1600 REG/ECC up to 96 GB
- Intel® C604 Chipset
- Dual 10G SFP+ ports
- Dual 10/100/1000 BASE-T ports
- IP65 water and dust proof
- Fanless, conduction cooled, aluminum chassis

Specifications

CPU / Chipset / Memory

| | |
|---------|---|
| CPU | Single/Dual Intel® Xeon® E5-2418L v2 (6C/12T) 2.0GHz Single/Dual Intel® Xeon® E5-2428L v2 (8C/16T) 1.8GHz Single/Dual Intel® Xeon® E5-2448L v2 (10C/20T) 1.8GHz |
| Chipset | Intel® C604 Chipset |
| Memory | Six DDR3-1600/1866 240-pin VLP RDIMM sockets, up to 96 GB (up to 48GB for single CPU SKUs) |

BIOS

| | |
|------|------------------------------|
| Chip | AMI BIOS on SPI flash memory |
|------|------------------------------|

I/O Interfaces

| | |
|-----------------|--|
| Ethernet | Dual 10/100/1000BASE-T RJ-45 port Dual 10G SFP+ interface |
| Storage | Onboard bootable 32 GB SATA flash (optional up to 256GB) Two 2.5" SATA SSD drive bays (external access) |
| USB | Two USB 2.0 ports on front panel |
| Front Panel I/O | 2x USB port, 2x LAN, 2x SFP+, 1x COM port (RJ-45) |
| Power Input | DC 36-72V power input, supports DC-48V for Telcom |

IPMI

| | |
|------|---|
| Chip | Smart Fusion A2F500 |
| IPMI | IPMI v2.0 based intelligent system manager & power manager. Supports temperature management for platform power manager: cold start heating, overheating, lower performance, shutdown & auto recover, self & remote diagnostic capability. |

Other Features

| | |
|--------------------------------|---|
| Expansion | Mini PCIe socket onboard; PCIe x16 signals via proprietary onboard connector (max. 15W) |
| Packet Processing Acceleration | Intel® Communications Chipset 8920 (optional) |
| Operating System | Linux 6.x |

Mechanical and Environmental

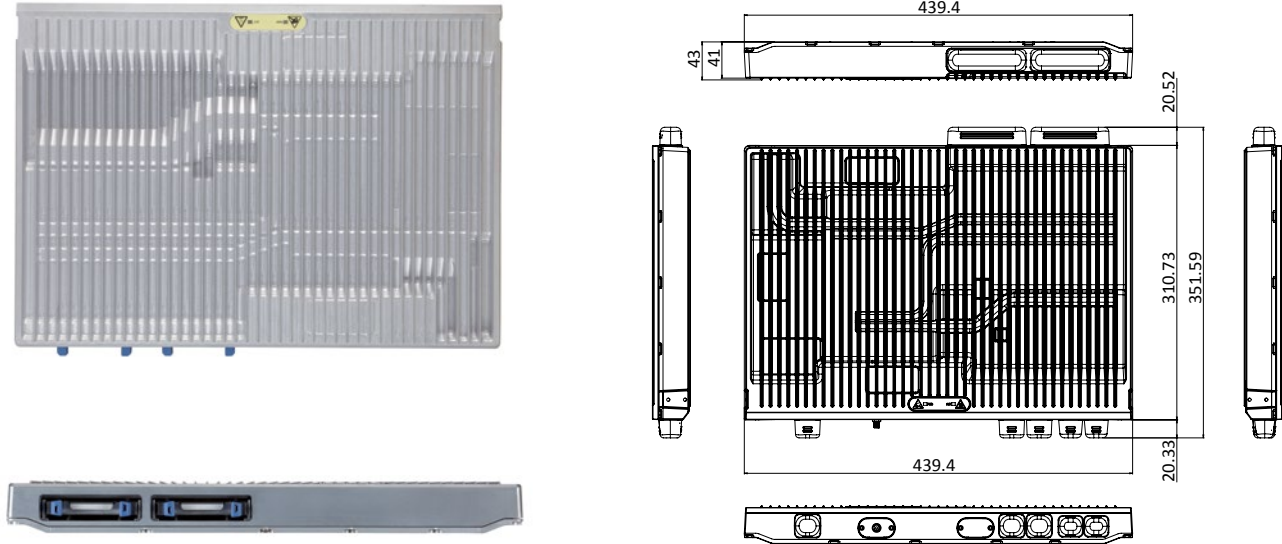
| | |
|-------------------|---|
| Form Factor | Fanless with aluminum conduction cooling enclosure |
| Dimension | 340 mm x 440 mm x 44 mm (L x W x H) |
| Weight | 10 kg |
| Operating Temp. | -40°C to +55°C |
| Storage Temp. | -40°C to +70°C |
| Humidity | 5% to 95%, non-condensed |
| Shock | 20G peak-to-peak, 11ms duration, non-operation |
| Vibration | Non-operation: 1.88Grms, 5-500Hz each axis Operation: 0.5Grms, 5-500Hz each axis |
| Power Consumption | 400-500W |
| IP rating | IP65 |
| Certification | FCC, CE, UL, NEBS Level 3 (design) |

Ordering Information

Modules

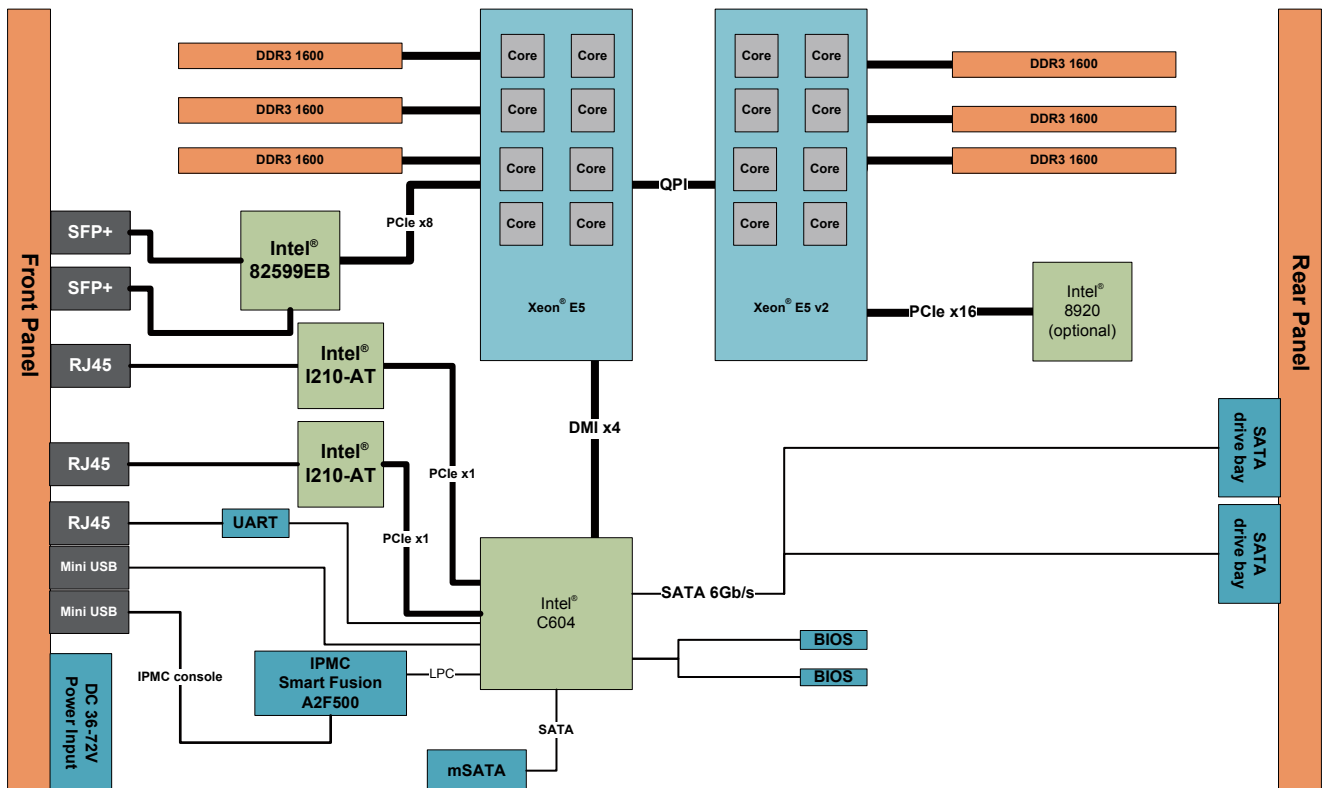
| Model Number | Description/Configuration |
|----------------------|--------------------------------------|
| 93-99202-000E | ETOS-1000/D2418L v2/M16GB/mSATA 32GB |
| 93-99202-100E | ETOS-1000/D2428L v2/M16GB/mSATA 32GB |
| 93-99202-200E | ETOS-1000/D2448L v2/M16GB/mSATA 32GB |

Mechanical Layout



Units: mm [inches]

Functional Diagram



Note: All specifications are subject to change without further notice.