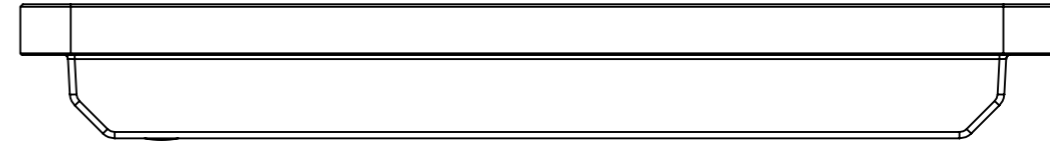
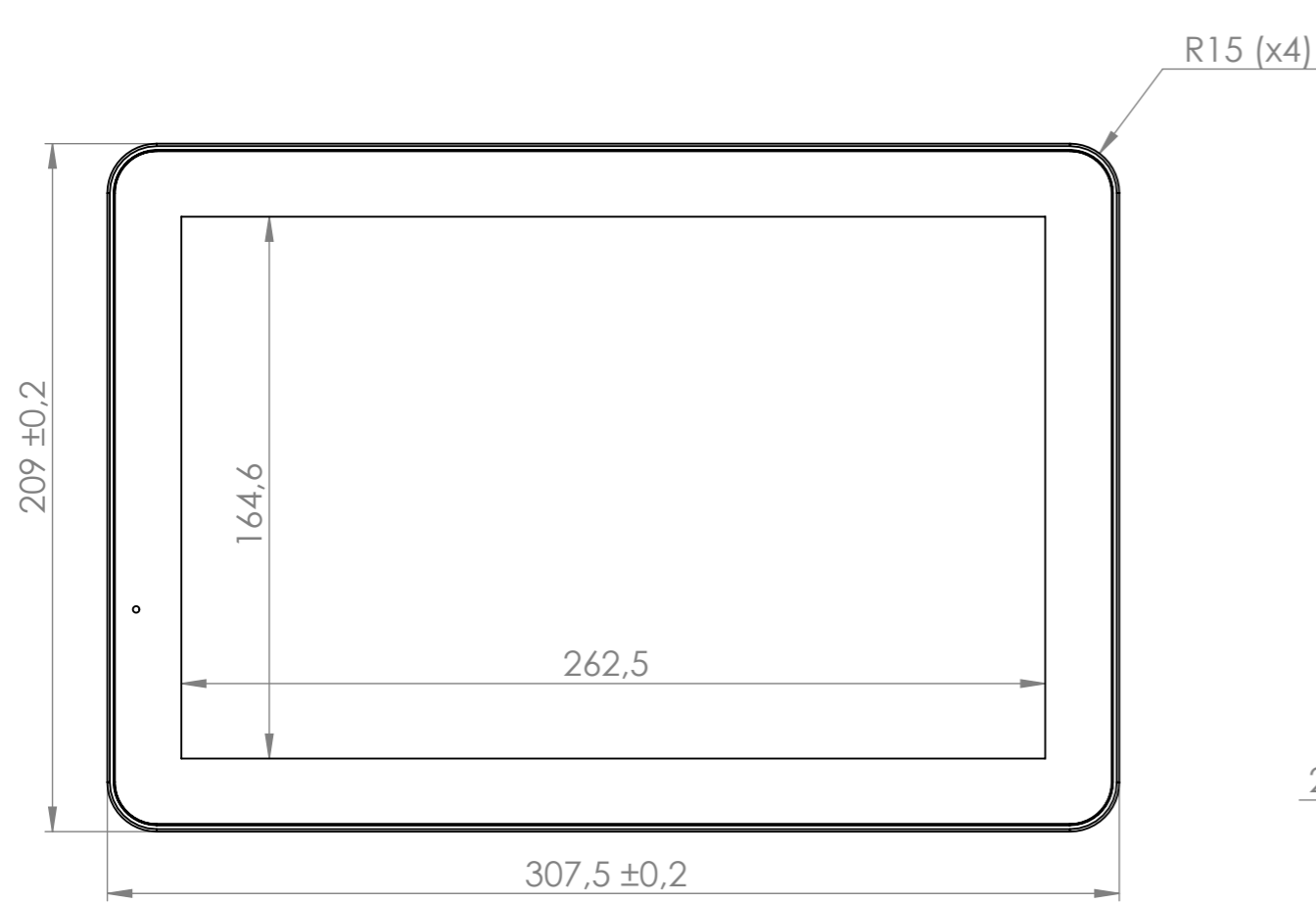


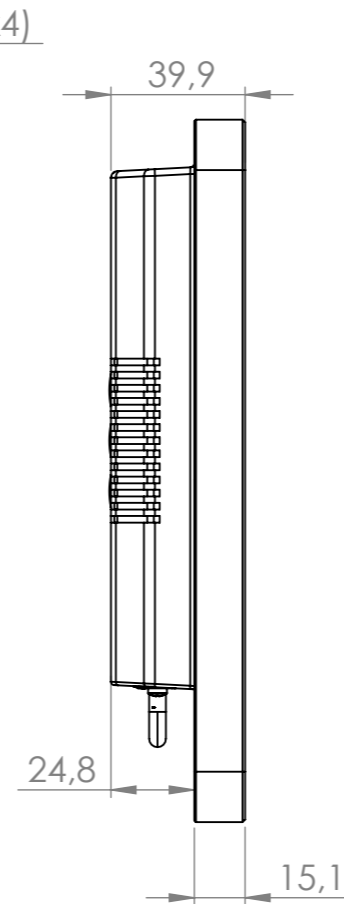
BOTTOM VIEW



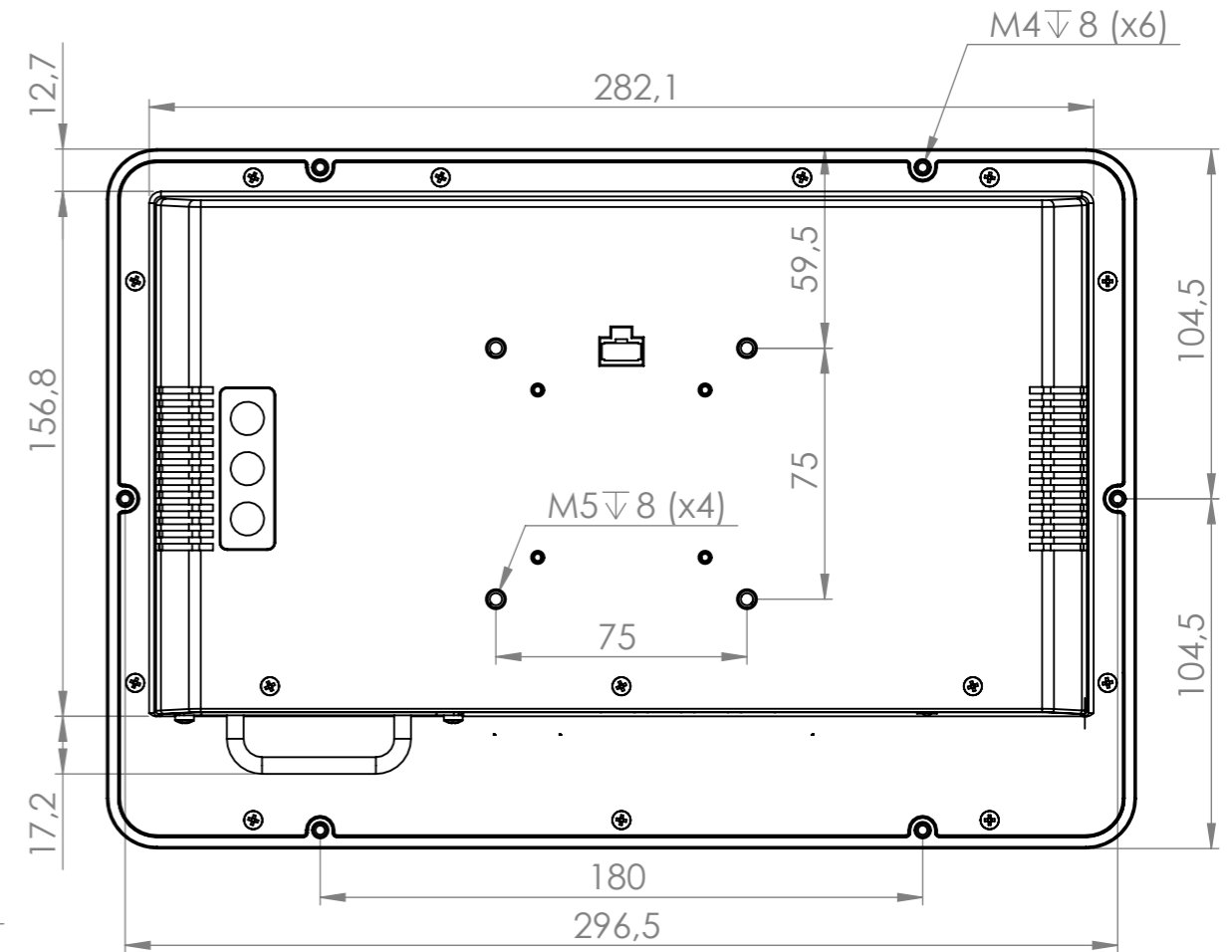
TOP VIEW



FRONT VIEW



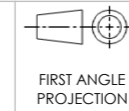
SIDE VIEW



BACK VIEW

UNLESS OTHERWISE SPECIFIED:
-DIMENSIONS ARE IN MILLIMETERS
-TOLERANCES: ISO2768-m

FINISH:



DO NOT SCALE DRAWING

STATE: RELEASED

REVISION: A

	NAME	SIGNATURE	DATE	NOTE:
DRAWN	ES		2016-09-21	12" Panel PC This drawing is based on 3D model version A10
CHK'D	-		-	
APPV'D	JG		2016-09-21	
Q.A	-		-	
MFG	-		-	

MATERIAL:

TITLE:

Outline dimensions
PPC-120T-BT-01

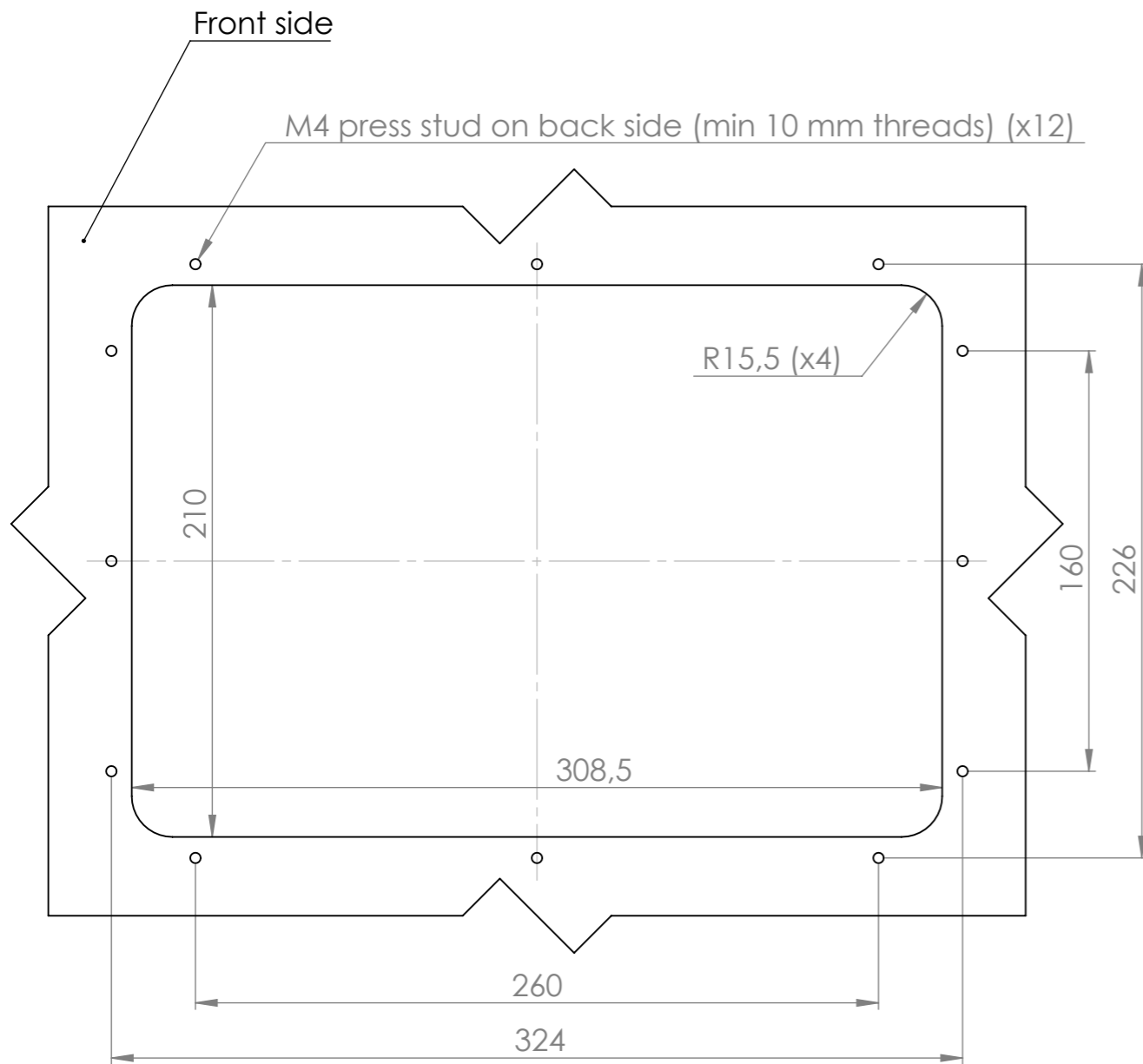
WEIGHT: -

DWG NO.

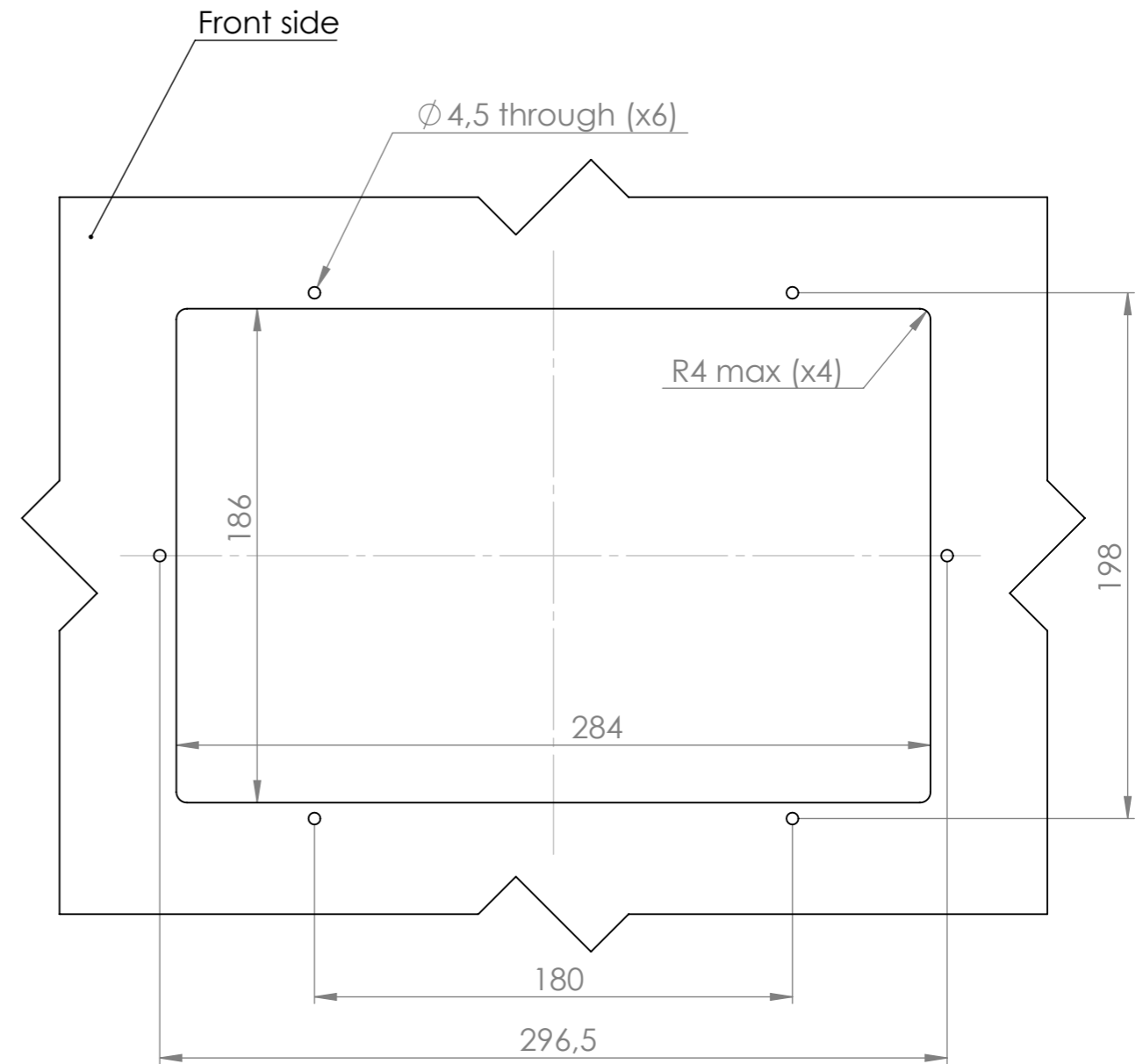
SCALE:4:9

SIZE:
A3


SHEET 1 OF 2



RECOMMENDED CUT OUT FOR
FLUSH MOUNT IN 5 MM THICK PANEL



RECOMMENDED CUT OUT FOR
DROP-IN MOUNT

UNLESS OTHERWISE SPECIFIED:		FINISH:		FIRST ANGLE PROJECTION		DO NOT SCALE DRAWING	STATE: RELEASED	REVISION: A
-DIMENSIONS ARE IN MILLIMETERS		-		FIRST ANGLE PROJECTION				
-TOLERANCES: ISO2768-m		-		FIRST ANGLE PROJECTION				
-DEBUR AND BREAK SHARP EDGES		-		FIRST ANGLE PROJECTION		TITLE:		
	NAME	SIGNATURE	DATE	NOTE:	<p>Optional flush mount kit, drop-in gasket and external fan kit are available on request.</p> <p>Outline dimensions PPC-120T-BT-01</p>			
DRAWN	ES		2016-09-21					
CHK'D	-		-					
APPV'D	JG		2016-09-21					
Q.A	-		-					
MFG	-		-		MATERIAL:		DWG NO.	
					-		-	
					WEIGHT: -		SCALE:4:10	
							SHEET 2 OF 2	
							SIZE: A3	