

Mobile Rugged Tablet PC ID83

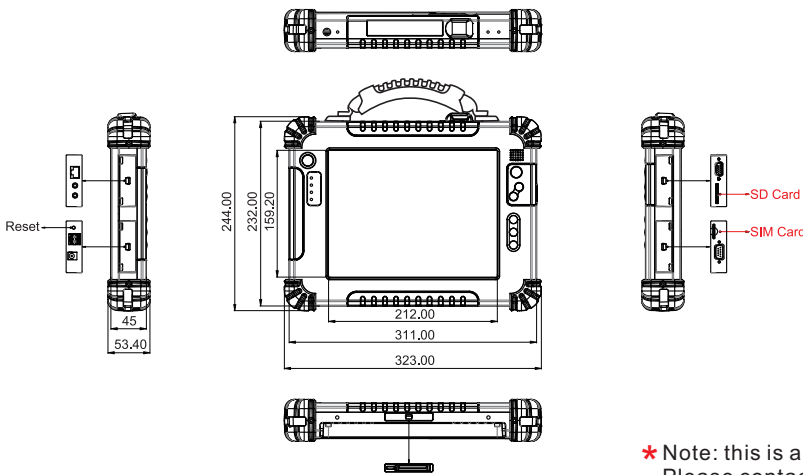
Model : R10ID8M-RTT2GP

Intel® Atom Dual Core N2800 1.86GHz

Features:

- 10.4" High Quality 1024 x 768 Resolution TFT-LCD Panel
- Intel® Atom Dual Core N2800 1.86GHz with Intel® NM10 Chipset
- 1 x SODIMM, Max. 4GB DDR3-1066 (Default 2GB)
- Resistive Touch
- Brightness up to 700 nit enhanced visibility
- Alu-Mg Alloy Housing with Protective Rubber for MIL-810F Shock, Vibration and Drop Std.
- Built-in Wireless / Bluetooth / and GPS module
- Support 3G (optional)
- 6 cell, 5200mAh Lithium-Ion Battery Pack
- Low Power consumption CPU only 3.5W

Mechanical Design Drawings



* Note: this is a simplified drawing and some components are not marked in detail. Please contact our sales representative if you need further product information.

System Specification

- Processor : Intel® Atom Dual Core N2800 1.86GHz
- BIOS : AMI System BIOS
- System Chipset : Intel® NM10 Chipset
- System Memory : 1 x SO-DIMM, Max 4GB DDR3-1066 (Default 2GB)
- LAN Controller : 10/100/1000 Mbps LAN
- Storage : Default 32GB mSATA SSD (by mini PCIe interface, max. up to 256GB)
- Audio : 1 x Microphone in, 1 x Line out

Wireless Communication

- WLAN & Bluetooth : 802.11b/g/n + 2T2R class I Bluetooth combo card (Default)
- WWAN : Built-in 3G module (Optional)
- GPS : Based on AEC-Q100 qualified GPS chipset
 - 50-channels GPS
 - SBAS (WAAS, EGNOS, MSAS, GAGAN)
 - A-GPS
 - Built-in LNA and SAW filter

Mechanical and Environment

- Dimensions (W x L x H) : 323 x 244 x 53 mm
- Weight : 2.5 Kg (w/o accessories)
- Operation Temperature : -20 deg. C to 60 deg. C
- Operation Humidity : 10% to 90% (non condensing)
- IP Proof : IP54
- Mounting : VESA mount, Vehicle mount
- Shock* : MIL-STD-810F M516.5
- Vibration* : MIL-STD-810F M514.5
- Drop* : MIL-STD-810F M516.5, 4 ft, Free to concrete
- Certifications : CE, FCC Class B, UL, MIL810F for Vibration / Shock / Drop / Temp.

Display Specification

- Pixel Number : 1024 x 768
- Brightness : 700cd/m² (typ.)
- Touch (Default) : 4 Wire Resistive

I/O Connectors

- Left I/O Port : 1 x LAN, 2 x USB 2.0, 1 x Audio out, Micro-in Jack, 1 x Power Input Jack, 1 x Reset Button
- Right I/O Port : 1 x COM, 1 x VGA, 1 x SIM Card, 1 x SD
- Downside Docking : 1 x Docking connector

In front Control

- Control Button : 1x Menu Key control Brightness, Volume and Battery Status
- LED indicator : Power On / Off, Battery, HDD Access, Wifi On / Off

Power Management

- Power input : 19V DC
- Power consumption : 11W typ.
- Battery : Li-Ion battery 5200mAh, 11.1V
- Battery Mark Ver.4.0.1 : 5 hrs 30 mins
- Adapter : 100-240V, 50-60Hz, 19V DC

Rev.	Reasons	Revised Date
1.1	Spec change	May-04-12
1.2	Spec change	July-30-12
1.3	Spec change	Sep-03-13