



## Main Features

- 10.4" XGA TFT LCD monitor
- Compact and fanless design
- Built-in Intel® Core™ i7-2610UE processor
- Automatic/manual brightness control
- On screen F1 ~ F10 function key
- Wake on RTC/SMS/LAN
- Variety wireless communication options
- Robust design with Die-cast aluminum
- All enclosure compliant with IP65
- Wide range DC input from 9 ~ 36V
- Optional sunlight readable solution with 1000nits

## Product Overview

VMC 3500/3501, 10.4-inch all in one robust vehicle mount computer, is designed for the transportation, warehouses and material handling application. Adopting the latest high performance processor Intel® Core™ i7, it integrates the high resolution LCD with the brightness of 400 nits and 5-wire resistive touch sensor. VMC 3500/3501 is extreme ruggedness, the aluminum enclosure compliant with IP65 is designed against vibration, dust, moisture and chemical impacts. It does not compromise with its space to scarify its functional features. It provides RS-232, USB 2.0, CFast, LAN and two mini-PCIe extensions for variety communication options. The latitude of mounting methods offers easy installation in the vehicles. Thus, the VMC 3500/3501 is an ideal solution for vehicle terminal on forklifts, straddle carriers, truck, mining vehicles, construction machines and marine.

## Specifications

### General

- Cooling System: Fanless
- Enclosure: Die-cast aluminum
- Mounting: Support VESA 75/100, Panel and stand mounting
- Three SMA Type antenna connectors of BT/Wi-Fi /WWAN
- Power Input: 9 ~ 36VDC input with Ignition
- Power Consumption: 32W typical
- Ingress Protection: IP65 (VMC 3500 only Front Panel IP65)
- Dimension: 290mm (W) x 230mm (H) x 68mm (D) (11.4" x 9" x 2.7")
- Weight: 3Kg, 6.61Lb

### LCD Panel

- 10.4-inch TFT LCD panel with LED backlight
- 1024x 768 pixels (XGA)
- Brightness: 400 cd/m<sup>2</sup> (typical)
- Optional high brightness for sunlight-readable with 1200cd/m<sup>2</sup>  
After touch screen is 1000 cd/m<sup>2</sup>
- Contrast ratio: 600:1 (typical)

### Touch Screen Sensor

- 5-wire resistant touch
- Anti-glare coating surface
- Transmission rate: 81 ± 3%

### CPU & Chipset

- Intel® Core™ i7 2610UE 1.5GHz
- Intel® QM67

### Memory

- One 204-pin DDR3 1333MHz SO-DIMM slot (up to 8GB)

### Expandable Storage

- 1 x CFast
- 1 x 2.5" SATA SSD bay

### Expansion

- 1 x mini-PCIe socket (PCIe + USB) for WLAN option
- 1 x mini-PCIe socket (USB) x 1 for WWAN option
- 2 x OBDII module with J1939 for option

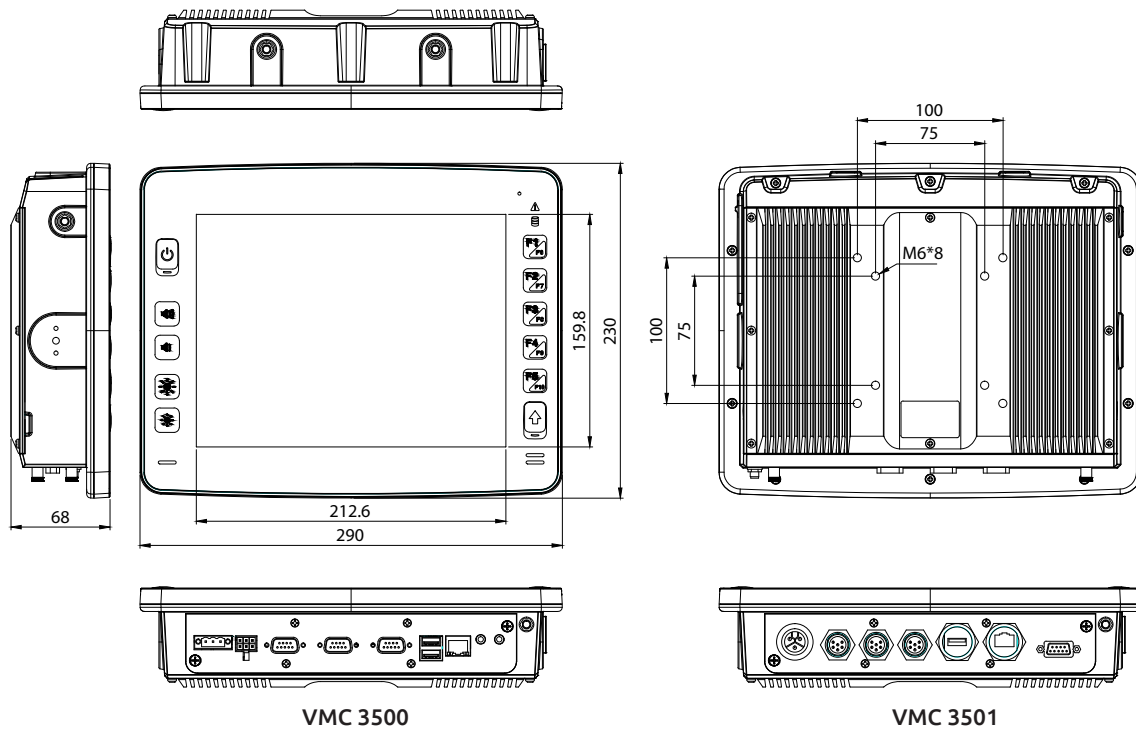
### I/O Interface-Front

- On screen display buttons x 5  
Power on/off  
Volume control (+/-)  
Brightness control (+/-)
- Light sensor
- 4 x LED indicators (Power on/off, Storage, Warning, Shift)
- F1 ~ F10 functions key
- 2 x Built-in 2W speakers

### I/O Interface-Lateral

- 1 x CFast card slot
- System reset button
- USB 2.0 host type A connector

## Dimension Drawing



VMC 3500

VMC 3501

### I/O Interface-Bottom

- Power connector (power, ignition, ground)
- 1 x RS-232 (VMC 3500 only)
- 1 x RS-232 with either 0, 5 or 12V on pin 9 for external devices
- USB 2.0 host (VMC 3501 only one USB)
- 1 x 10/100/1000Base-T
- 1 x Mic-in, 1 x Line-out
- 1 x 3GPI and 3GPO or CAN Bus with J1939 optional  
Digital Input (source type; 0 ~ 30V)  
Digital Output (sink type; 20mA max)
- SMBus to support VTK 61B back up smart battery with charger
- 1 x SMA-type GPS antenna connector

### Communication Module

- 1 x GPS module
- 1 x WLAN or Bluetooth module for optional
- 1 x WWAN module for optional

### Power Management

- Selectable boot-up & shut-down voltage for low power protection
- HW design ready for 8-level delay time on/off at user's self configuration
- Power on/off ignition, software detectable
- Support S4 suspend mode; wake on RTC/SMS

### Operating System

- WES2009
- WES 7E
- Win7 Pro Embedded

### Environment

- Operating temperatures: Ambient with air -30°C to 50°C
- Storage temperatures: -30°C to 70°C
- Relative humidity: 10% to 90% (non-condensing)
- Vibration (random): 2g @ 5 ~ 500Hz
- Vibration
- Operating: MIL-STD-810G, 514.6 Procedure 1, Category 4
- Storage: MIL-STD-810G, 514.6 Procedure 1, Category 24

- Shock  
Operating: MIL-STD-810G, Method 516.6, Procedure I, trucks and semi-trailers=20g  
Crash hazard: MIL-STD-810G, Method 516.6, Procedure V, ground equipment=75g

### Standards/Certifications

- CE approval
- FCC Class B

## Ordering Information

- **VMC 3500 (P/N: 10VC0350000X0)**  
10.4" rugged vehicle mount computer with Intel® Core™ i7, 2GB DDR3, touch screen, Front Panel IP65
- **VMC 3501 (P/N: 10VC0350100X0)**  
10.4" rugged vehicle mount computer with Intel® Core™ i7, 2GB DDR3, touch screen, IP65
- **VMC 3510 (P/N: 10VC0351000X0)**  
10.4" rugged vehicle mount computer with Intel® Core™ i7, 2GB DDR3, touch screen, Front Panel IP65, Sunlight readable
- **VMC 3511 (P/N: 10VC0351100X0)**  
10.4" rugged vehicle mount computer with Intel® Core™ i7, 2GB DDR3, touch screen, IP65, Sunlight readable
- **Bundle Accessories**  
SSD bracket and screws, GPS antenna (5M), Power connector, Driver CD

### Optional Accessories

Part No.	Description
4NCPF00314X00	External Power Input Connector (Waterproof)
4NCPF00613X00	External Power Output and SM bus Connector (Waterproof)
4NBDF00907X00	External DB9 Connector
4NBQF01001X00	External GPIO Connector
4NBQF00601X00	External Audio Connector (Waterproof)
5060600230X00	External RJ45 Holder (Waterproof)
60233US110X00	External USB Cable 100cm (Waterproof)