

Inox

Stand - Alone Industrial Computer

Reliable - Durabel - Maintenancefree - Fanless



Description / Applications

Features :

- Modular high-end Industrial-PC with complete closed housing (IP65)
- Durable and error-free even under critical environmental conditions
- Fast data input via Touchscreen
- Various input – and reader devices (Legic , RFID etc.) and Scanner are connectable
- Wireless-LAN integrable
- Expandable with PCI-Slots (1 x PCI (1x) ; 1 x Mini PCIe)
- Passive cooling concept **without** ventilation-slot and **without** fan
- Stainless Steel -housing with especially surface, protected all around
- Industrial suited mounting- and fastening concept with mounting bracket
- Cablecover with industrial grade cabel feedthrough (IP65)

Special features :

The stainless steel housing (IP65 from all sides) is made to meet requirements for the chemical- and food Industries as well as the high hygienic sensitive productionareas of eg. pharmaceutical industry.

Applications:

- Data acquisition, -allocation, -output
- Frontend for eg. control systems- and productionfacilities
- Visualising / store-technic / MDA / PDA / CNC
- Routes- and process monitoring
- Navigation- and Pick-up-Systems
- Production- and warehouses

Options :

- Mountings for wall , ceiling etc.
- Wireless LAN components
- Scanner and reader
- Stainless Steel keyboards (IP65)



Where Innovation Meets Quality

Technical Data Inox Series

Systemdata :

| | | |
|--------------------|--|-----------------|
| CPU | Intel® Atom D2550 1,86 GHz (Dual-Core) | |
| Cache | 1024kB L2 | |
| Chipset | NM10PHC | |
| RAM | Up to 4 GB DDR3 | |
| Graphic controller | Intel® GMA | |
| Video memory | Up to 224 MB (DVMT) | |
| Storage Media | 24 x 7 HDD or industrial grade CF-Card | |
| Display size | 15" | 17" 19" |
| Display resolution | 1024x768 | 1280x1024 |
| Weight | 8,6 kg | 10,7 kg 11,2 kg |

Interfaces :

| | |
|-----------------|--|
| Touch | analog resistive with extended transparency (>80%), surface hard coated against abrasion |
| USB | 4x USB2.0 and 4 x USB intern |
| Power supply | 110/240V _{AC} 50/60Hz wide input range or 24V _{DC} (intern; optional) |
| Ethernet | 2 x 1 GB/s |
| Serial Ports | 5 x serial RS232 (2 intern) ; 1 x RS232/422/485 |
| Parallel Port | LPT (intern; optional for extern use) |
| Digital I/O | 8-bit digital I/O ; 4 bit in- / Output (intern; optional for extern use) |
| Extension-Cards | 1 x mini PCIe ; 1 x PCIe (x1) , 1 x PCI |
| Audio | 1 x Mic-In, 1 x Line out |
| VGA | 1 x connector for external Monitor |

Operating Systems :

| | |
|---------|---|
| Windows | Windows 7; Windows XP ; XP embedded |
| LINUX | Linux , Embedded Linux (on request; customized) |

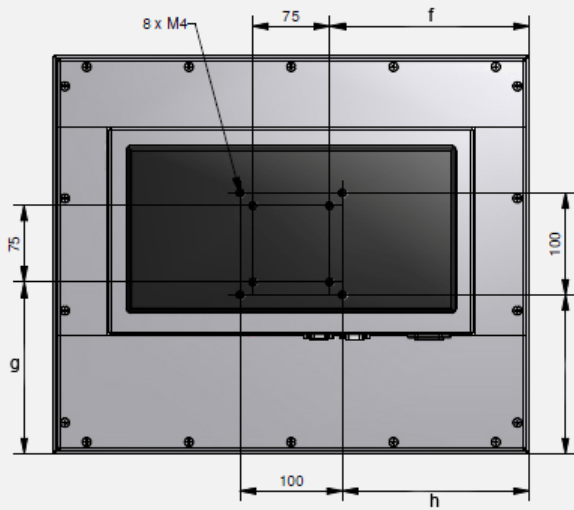
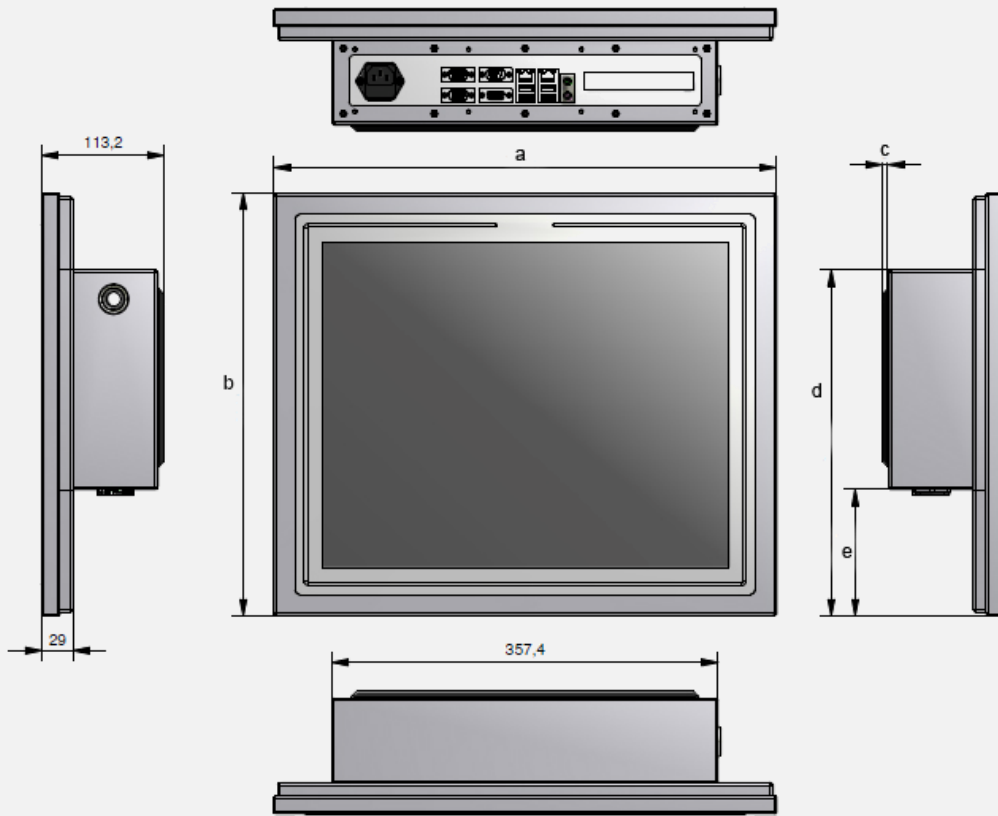
Environment conditions :

| | |
|-----------------------|----------------|
| Operating-Temperature | 0°C to +50°C |
| Storage-Temperatur | -10°C to +60°C |

Certificates: CE Certificate of Conformity

| | |
|-------------------------------|--|
| Environment | |
| EMC-Directive: 89 / 336 / EEC | EN 55022/5.1995 class A, EN 50082-2/3.1995, VCCI class A, CISPR 22 class A, 47 CFR Part 15 Subpart B (FCC), AS/NZS 3548 class A, EN 60950 RoHS compliant ISO 9001 (2008) ; ISO 13485 (2007) WEEE-Reg.-Nr. DE 70246803 |

Sizes Inox Series



With mounted Cablecover

| | a | b | c | d | e | f | g | h | i |
|-----|-------|-------|---|-------|-------|--------|-------|--------|-------|
| 15" | 408 | 314,1 | 6 | 289,3 | 86,3 | 166,5 | 137,8 | 154 | 125,3 |
| 17" | 438 | 354 | 5 | 299,2 | 96,2 | 181,5 | 147,7 | 169 | 135,2 |
| 19" | 465,1 | 390,6 | 5 | 319,7 | 116,7 | 195,05 | 168,2 | 182,55 | 155,7 |

All sizes in mm